

POWER MONITORING & PROTECTION

MINI-CURRENT TRANSDUCER MCX SERIES

DESCRIPTION

The **Kele MCX Series** of **current transducers** monitor line current for electrical loads such as pumps, conveyors, machine tools or fans and provide an output of 4-20 mA, 0-5 VDC or 0-10 VDC (model specific) to represent the load current.

The **MCX05Vxxx** & **MCX10Vxx** series require no external power supply as they are totally powered by induction from the AC line being monitored. The **MCX420xx** series is loop-powered and require an external 15-30 VDC power supply.

FEATURES

- **Solid core**
- **Analog output**
- **Up to 100 Amps input current**
- **Small, compact design**
- **Self powered**



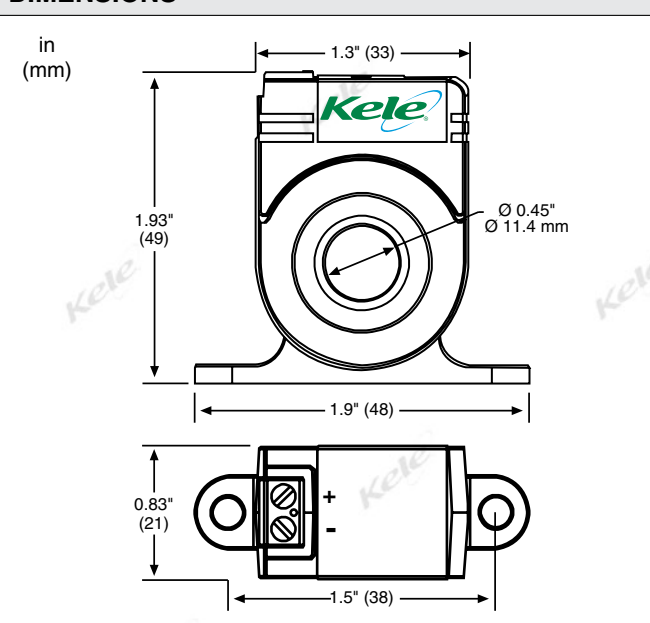
MCX05V020



SPECIFICATIONS

Supply Voltage	15-30 VDC, loop-powered (mA output)
Frequency	40-100 Hz
Measurement Range	10/20/50 Amps (model specific)
Maximum Input Current	100 Amps continuous
Accuracy	± 1% FSO
Output Type	0-5 VDC, 0-10 VDC @ 1M or 4-20 mA @ 250
Loading Error	Add 1.2% error with 100 K
Response Time	<250 ms typical (0-90%)
Insulation Class	600 VAC, insulated conductors
Operating Temperature	5° to 140°F (-15° to 60°C)
Operating Humidity	5-90% RH, non-condensing
Enclosure Rating	NEMA 1, ABS/PC, UL94 V-0
Mounting	foot
Termination	14 to 22 AWG
Dimensions	1.9" x 1.93" x 0.83" (4.8 x 4.9 x 2.1 cm)
Window Size	0.45" (1.14 cm)
Approvals	UL File #E239785, RoHS, ISO9001, CE
Warranty	1 year

DIMENSIONS



ORDERING INFORMATION

MODEL	DESCRIPTION
MCX05V010	Solid core mini-current transducer, 0-10 Amps, 0-5 VDC output
MCX05V020	Solid core mini-current transducer, 0-20 Amps, 0-5 VDC output
MCX05V050	Solid core mini-current transducer, 0-50 Amps, 0-5 VDC output
MCX10V010	Solid core mini-current transducer, 0-10 Amps, 0-10 VDC output
MCX10V020	Solid core mini-current transducer, 0-20 Amps, 0-10 VDC output
MCX10V050	Solid core mini-current transducer, 0-50 Amps, 0-10 VDC output
MCX42010	Solid core mini-current transducer, 0-10 Amps, 4-20 mA output
MCX42020	Solid core mini-current transducer, 0-20 Amps, 4-20 mA output
MCX42050	Solid core mini-current transducer, 0-50 Amps, 4-20 mA output